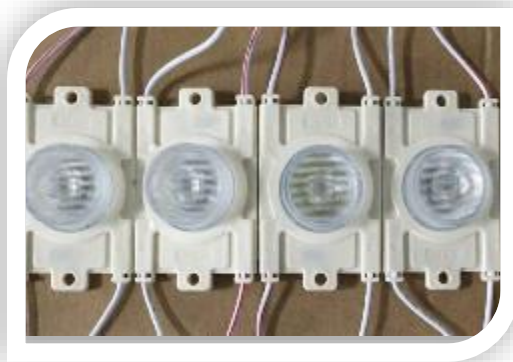


Geckolighting® 3.2w LED Modules



Geckolighting® LED 3.2w Modules.

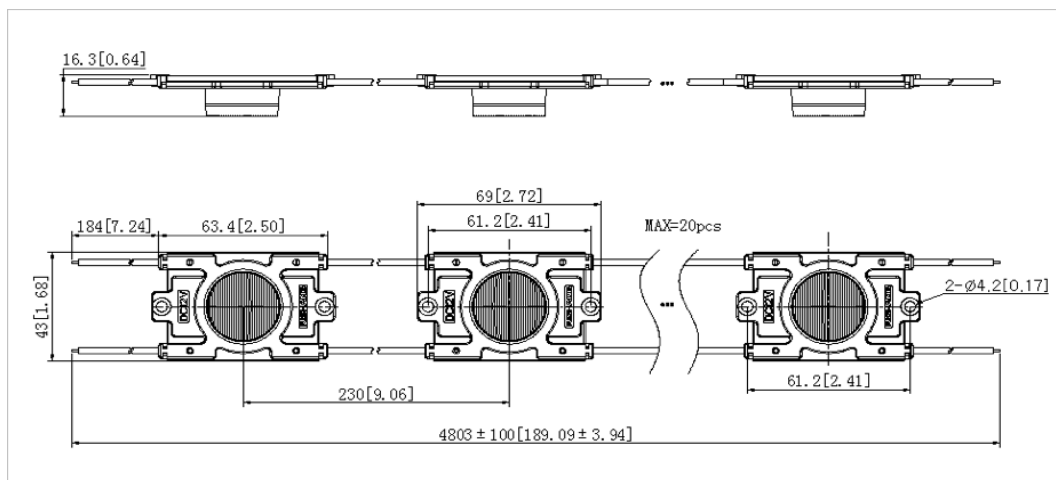
LED module, SMD(3535) LEDs, white shell and equipped with optical cover, injection series, 3.2w, DC12V, constant voltage.

Suitable for single/double-sided light boxes. This product is designed for single-sided light box with depth 70-200mm or double-sided light box with depth 80-400mm.

Features:

- Flame-retardant engineered plastic housing
- Constant voltage driver – stable performance, long lifetime, good brightness uniformity.
- IP65 rated
- Installed on edge of light box, back adhesive for preliminary fixing, screws for permanent fixing.
- Can be cut between each unit
- Max number in series – 20 pieces
- Double-ended power supply allowed, increasing Max number in series to 40 pieces.

Model Number	36-3535CW
LED power:	3.24W/piece
Working Voltage:	DC12V
Luminous flux:	280lm/piece
Working Current:	270mA/piece
Luminous efficiency:	87lm/w
Operating temperature:	-25°C ~ +60°C
Color Temperature	CW - Cool white: 7,000K
Color Index(CRI)	Ra>70
Beam Angle:	10° x 40°
IP Rating:	IP65
Working Life	13,000 Hrs
Dimensions:	64mm x 43mm x 16.5mm
Net Weight	30grams/piece



Geckolighting
 Phone: (08) 9371 2652
 Fax: (08) 9371 2444
 sales@geckolighting.com.au



www.geckolighting.com.au

